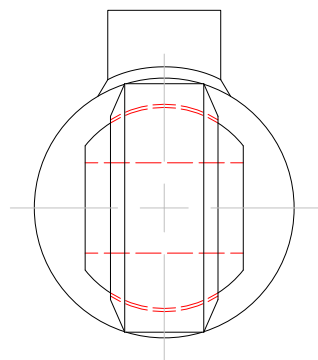
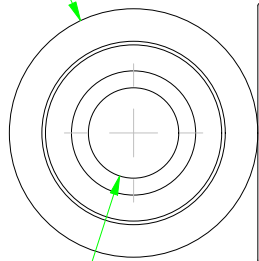


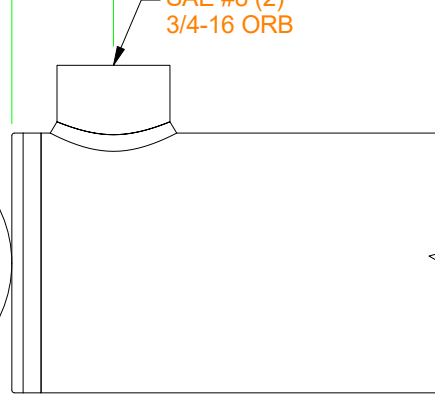
1 1/8 SAE #8 (2)  
3/4-16 ORB



Ø2.750



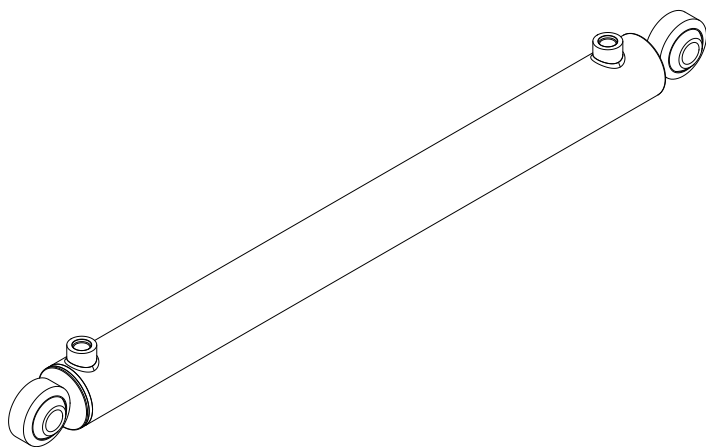
Ø1 NOMINAL I.D.  
BOTH ENDS



2

Ø1.500

Ø2.750



3RD ANGLE PROJECTION	
ALL DIMENSION IN INCHES	
TOLERANCES UNLESS SPECIFIED	
0.0	± 0.06
0.00	± 0.03
0.000	± 0.015
FRACTIONS	± 1/16

PART NUMBER:  
**20570**



DESCRIPTION:  
2.500 BORE X 30.000 STROKE X 1.500 ROD DIA.

PAINT COLOR: BLACK  
CYLINDER WEIGHT: 37 lbmass

CYL. SPECIFICATIONS MAX.  
PRESSURE: 3000 PSI  
OPERATING TEMP: 200° F  
ROD SPEED: 18 IPS